

微型快插接头 产品系列



www.cncuca.com

浙江库卡气动有限公司

CMPC



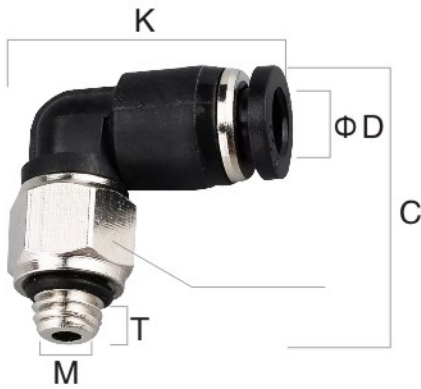
型号	ΦD	C	T	M	H(外径)	g(重量)
CMPC3-M3	3	17.2	3.5	3	8	2.8
CMPC3-M5	3	17.5	3.5	5	8	2.8
CMPC3-M6	3	17.2	4	6	8	3.2
CMPC3-01	3	16.5	5	1/8=9.7	10	6
CMPC4-M3	4	17.5	3.5	3	8	2.8
CMPC4-M5	4	17.2	3.5	5	8	2.8
CMPC4-M6	4	17.2	4	6	8	3.2
CMPC4-01	4	18	6	1/8=9.7	10	6.7
CMPC5-M3	5	18	3.5	3	10	3.9
CMPC5-M5	5	18.5	3.5	5	10	4.6
CMPC5-M6	5	19	3.5	6	10	5
CMPC5-01	5	17	5	1/8=9.7	10	4.2
CMPC6-M3	6	18	3.5	3	10	3.9
CMPC6-M5	6	19	4	5	10	4.6
CMPC6-M6	6	19	3.5	6	10	5
CMPC6-01	6	18	6	1/8=9.7	10	5

CMPOC



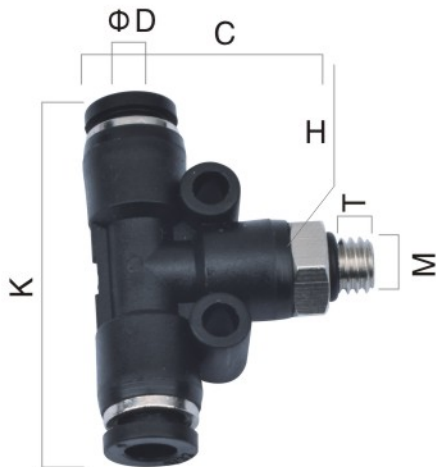
型号	ΦD	C	T	M	H(外径)	g(重量)
CMPOC3-M3	3	17.5	3.5	3	7.9	3
CMPOC3-M5	3	18	3.5	5	7.9	3
CMPOC3-M6	3	18	4	6	7.9	3
CMPOC3-01	3	17	5	1/8=9.7	9.8	5.4
CMPOC4-M3	4	18.5	3.5	3	7.9	3.1
CMPOC4-M5	4	17	3.5	5	7.9	2.6
CMPOC4-M6	4	18	4	6	7.9	3
CMPOC4-01	4	17	5	1/8=9.7	9.8	5.4
CMPOC5-M3	5	19	3.3	3	9.8	4.6
CMPOC5-M5	5	19	3.3	5	9.8	3.7
CMPOC5-M6	5	19	3.5	6	9.8	4.5
CMPOC5-01	5	17	5	1/8=9.7	10	4.8
CMPOC6-M3	6	19	3.3	3	9.8	4.6
CMPOC6-M5	6	19	3.5	5	9.8	3.7
CMPOC6-M6	6	19	3.5	6	9.8	4.5
CMPOC6-01	6	16	5	1/8=9.7	10	4.1

CMPL



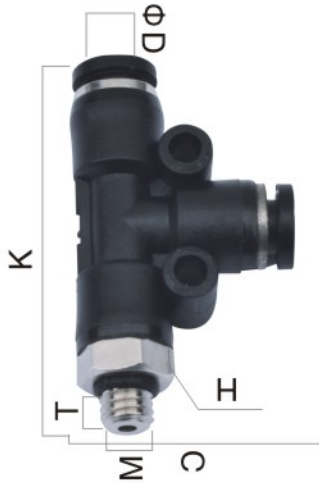
型号	K	ΦD	C	T	M	H _(外径)	g _(重量)
CMPL3-M3	19	3	19	3.5	3	8	3.4
CMPL3-M5	19	3	19	3.5	5	8	3.5
CMPL3-M6	19	3	19	3.5	6	8	3.5
CMPL3-01	20	3	20	6	1/8=9.7	10	6.5
CMPL4-M3	19	4	19	3.5	3	8	3.5
CMPL4-M5	19	4	19	3.5	5	8	3.5
CMPL4-M6	19	4	19.5	4	6	8	3.5
CMPL4-01	20	4	20	6	1/8=9.7	10	6.5
CMPL5-M3	20	5	19	3.5	3	8	3.7
CMPL5-M5	20	5	20	3.3	5	8	4.1
CMPL5-M6	20	5	20	3.5	6	8	4.5
CMPL5-01	20	5	21	6	1/8=9.7	10	7.2
CMPL6-M3	20	6	20	3.5	3	8	3.7
CMPL6-M5	20	6	21	3.5	5	8	3.7
CMPL6-M6	20	6	20	3.3	6	8	4.2
CMPL6-01	21	6	21	6	1/8=9.7	10	7.8

CMPB



型号	K	ΦD	C	T	M	H _(外径)	g _(重量)
CMPB3-M3	20	3	31.3	3.5	3	8	5.4
CMPB3-M5	20	3	32.3	3.5	5	8	5.4
CMPB3-M6	20	3	31.3	3.5	6	8	5.4
CMPB3-01	21.5	3	31.3	6	1/8=9.7	10	8.4
CMPB4-M3	19.6	4	30.6	3.5	3	7	3
CMPB4-M5	19.6	4	30.3	3.5	5	9	5
CMPB4-M6	19.6	4	30.6	3.5	6	8	5.4
CMPB4-01	21.5	4	30.6	6	1/8=9.7	10	8.4
CMPB5-M3	22.1	5	32.8	3.5	3	8	6.9
CMPB5-M5	22.1	5	32.8	3.6	5	8	6.9
CMPB5-M6	22.1	5	33.3	3.5	6	8	6.9
CMPB5-01	23.6	5	32.8	6	1/8=9.7	8	10
CMPB6-M3	22.2	6	33.3	3.5	3	8	6.7
CMPB6-M5	22.2	6	33.3	3.5	5	8	6.7
CMPB6-M6	22.2	6	33.3	3.5	6	8	6.7
CMPB6-01	23.6	6	33.3	6	1/8=9.7	10	10

CMPD



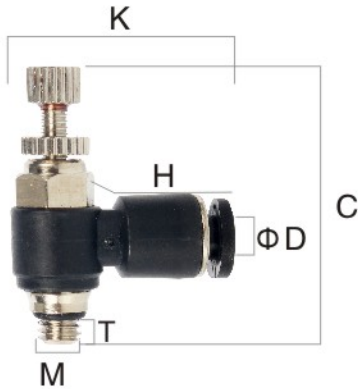
型号	K	ΦD	C	T	M	H (外径)	g (重量)
CMPD3-M3	20.3	3	31	3.5	3	8	5.2
CMPD3-M5	20.3	3	31	3.5	5	8	5.2
CMPD3-M6	20.3	3	31	3.5	6	8	5.2
CMPD3-01	21.1	3	32.3	6	1/8=9.7	10	8
CMPD4-M3	20.1	4	31.2	3.5	3	8	5.3
CMPD4-M5	20.1	4	31.2	3.5	5	8	5.3
CMPD4-M6	20.1	4	31.2	3.5	6	8	5.3
CMPD4-01	21,1	4	32.3	6	1/8=9.7	10	8
CMPD5-M3	24	5	33	3.5	3	8	7
CMPD5-M5	24	5	33	3.5	5	8	7
CMPD5-M6	24	5	33	3.5	6	8	7
CMPD5-01	24	5	34.6	6	1/8=9.7	10	10
CMPD6-M3	24.3	6	33.2	3.5	3	8	6.7
CMPD6-M5	24.3	6	33.2	3.5	5	8	6.7
CMPD6-M6	24.3	6	33.2	3.5	6	8	6.7
CMPD6-01	24.3	6	34.6	6	1/8=9.7	10	10

CMPX



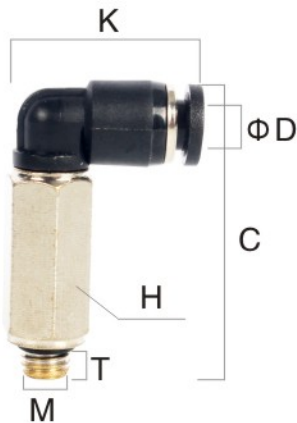
型号	K	ΦD	C	T	M	H (外径)	g (重量)
CMPX3-M3	18.6	3	37	3.5	3	8	7.3
CMPX3-M5	18.6	3	37	3.5	5	8	7.3
CMPX3-M6	18.6	3	37	3.5	6	8	7.3
CMPX3-01	18.6	3	37	6	1/8=9.7	10	10.5
CMPX4-M3	18.6	4	37	3.5	3	8	7.3
CMPX4-M5	18.6	4	37	3.5	5	8	7.3
CMPX4-M6	18.6	4	37	3.5	6	8	7.3
CMPX4-01	18.6	4	37	6	1/8=9.7	10	10.5

CMSL



型号	K	ΦD	C	T	M	H _(外径)	g _(重量)
CMSL3-M3	23.6	3	27.8	3	3	9.3	8
CMSL3-M5	23.6	3	27.8	3.5	5	9.3	8
CMSL4-M3	23.6	4	27.8	3	3	9.3	8
CMSL4-M5	23.6	4	27.8	3.5	5	9.3	8
CMSL5-M3	25.8	5	27.8	3	3	11.2	8.6
CMSL5-M5	25.8	5	27.8	3.5	5	11.2	8.6
CMSL6-M3	25.8	6	27.8	3	3	11.2	8.6
CMSL6-M5	25.8	6	27.8	3.5	5	11.2	8.6

CMPLL



型号	K	ΦD	C	T	M	H _(外径)	g _(重量)
CMPLL3-M3	19	3	29.5	3.5	3	8	8.4
CMPLL3-M5	19	3	29.5	3.5	5	8	8.4
CMPLL3-M6	19	3	29.5	3.5	6	8	8.4
CMPLL4-M3	19	4	29.5	3.5	3	8	8.4
CMPLL4-M5	19	4	29.5	3.5	5	8	8.4
CMPLL4-M6	19	4	29.5	3.5	6	8	8.4
CMPLL5-M3	20	5	30.5	3.5	3	8	8.8
CMPLL5-M5	20	5	30.5	3.5	5	8	8.8
CMPLL5-M6	20	5	30.5	3.5	6	8	8.8
CMPLL6-M3	20	6	30.5	3.5	3	8	8.8
CMPLL6-M5	20	6	30.5	3.5	5	8	8.8
CMPLL6-M6	20	6	30.5	3.5	6	8	8.8

CMPU



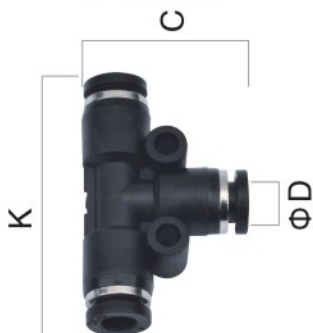
型号	K	ΦD	C	g(重量)
CMPU3	9.5	3	28.7	2.8
CMPU4	9.5	4	28.7	2.8
CMPU5	11.65	5	30.5	4.2
CMPU6	11.65	6	30.5	4.2
CMPU6-4	11.65	6.4	30.5	4.2

CMPV



型号	K	ΦD	C	g(重量)
CMPV3	20.4	3	20.4	3.1
CMPV4	20.4	4	20.4	3.1
CMPV5	23.5	5	23.3	4.5
CMPV6	23.3	6	23.3	4.5
CMPV6-4	23.3	6	23.3	4.5

CMPE



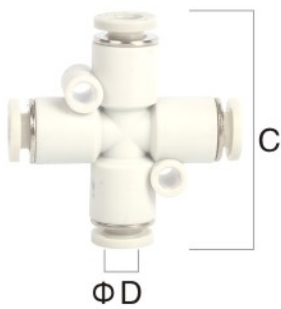
型号	K	ΦD	C	g(重量)
CMPE3	31.8	3	21.6	4.4
CMPE4	31.8	4	21.6	4.4
CMPE5	35.8	5	25.5	6.7
CMPE6	35.8	6	23.5	6.7
CMPE6-4	35.8	6	23.5	6.7

CMPY



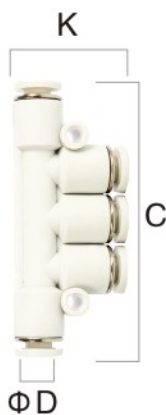
型号	K	ΦD	C	g(重量)
CMPY3	18.7	3	30.5	4.4
CMPY4	18.7	4	30.5	4.4
CMPY5	22.6	5	33.8	6.7
CMPY6	22.6	6	33.8	6.7
CMPY6-4	18.7	6	33.8	6.7

CMPZA



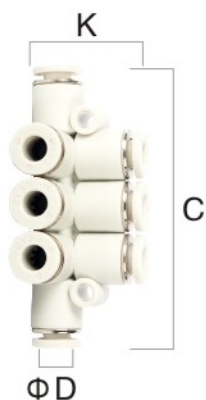
型号	ΦD	C	g(重量)
CMPZA3	4	36	7.9
CMPZA4	4	36	7.9
CMPZA5	5	41	10.6
CMPZA6	6	41	10.6
CMPZA6-4	6	41	10.6

CMPK



型号	K	ΦD	C	g(重量)
CMPK3	20.5	3	50	10.6
CMPK4	20.5	4	50	10.6
CMPK5	20.5	5	55.5	10.6
CMPK6	20.5	6	55.5	14.3
CMPK6-4	20.5	6	55.5	14.3

CMPKK



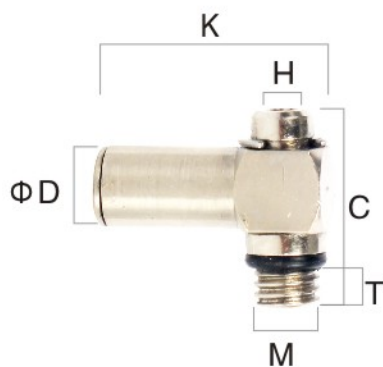
型号	K	ΦD	C	g(重量)
CMPKK3-3	20.5	3	50	12
CMPKK4-4	20.5	4	50	12
CMPKK5-5	20.5	5	55.5	17
CMPKK6-6	20.5	6	55.5	17

CJOC



型号	K	ΦD	C	T	M	H(六角)	g(重量)
CJOC3-M3	6	3.17	14	2.5	5	2	2
CJOC3-M5	6	3.17	14	2.5	3	2	2

CJL



型号	K	ΦD	C	T	M	H(六角)	g(重量)
CJL3-M3	16.6	3.7	13.6	2.5	5	2	4
CJL3-M5	16.6	3.7	13.6	2.5	3	2	4